



FOS PC LED 200W



Table of contents

1. Warnings & Notices
2. Safety Instructions
3. Product Picture
4. Major Luminaire Components
5. Assembling
6. Connecting
7. Buttons
8. Control Mode
9. Operating Menu
10. Rigging Luminaire
11. Cleaning & Care
12. Specifications
13. Packing Details

Thanks for purchasing **FOS PC LED 200W**. For your own safety, please read this user manual carefully before initially start-up. The unit is mainly used in TV studios, theaters, conference system and multi-functional halls etc.

1, Warnings & Notices



Mind the surface temperature when the fixture is working.



To avoid of a fire or electric shock, do not use the fixture if there is any damage of the fixture and the power cable.



If the fixture suffered irreversible damage, please send back to factory or replace by a qualified person.

2, Safety Instructions

2.1 The fixture must be mounted in a good ventilated environment ≤ 45 °C.

2.2 The distance between the lamp and inflammable surface should ≥ 1 m.

2.3 Lamps must have a good grounding to meet safety requirements.

2.4 When the fixture is power on, do not shake it hardly.

2.5 Please replace if any damage on the protective layer or lens.

2.6 To avoid of a fire or electric shock, do not use the fixture if there is any damage of the fixture and the power cable.

2.7 Do not use outdoors. Be aware of water, moisture and dirt.

3. Product Picture

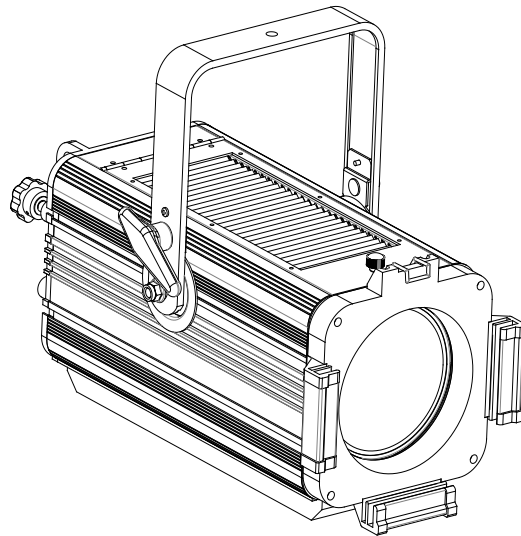


Figure 1

4. Major Luminaire Components

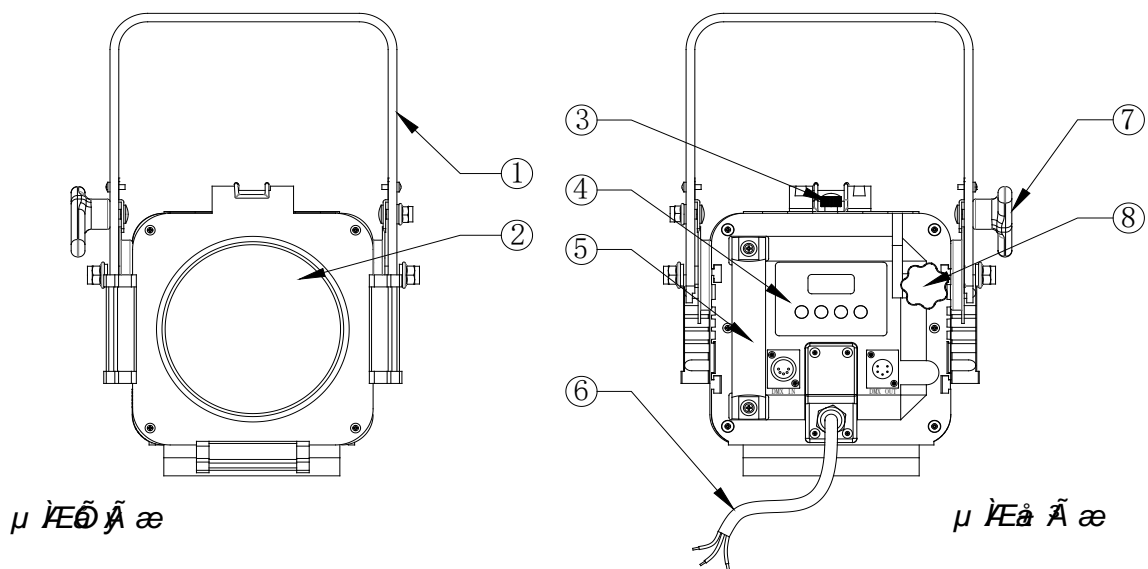


Figure 2

1. Yoke
2. PC Lens
3. Cover Bolt
4. LCD Display
5. Hand rail
6. Power Cable
7. Tilt lock-off Knob
8. Zooming Knob

5. Assembling

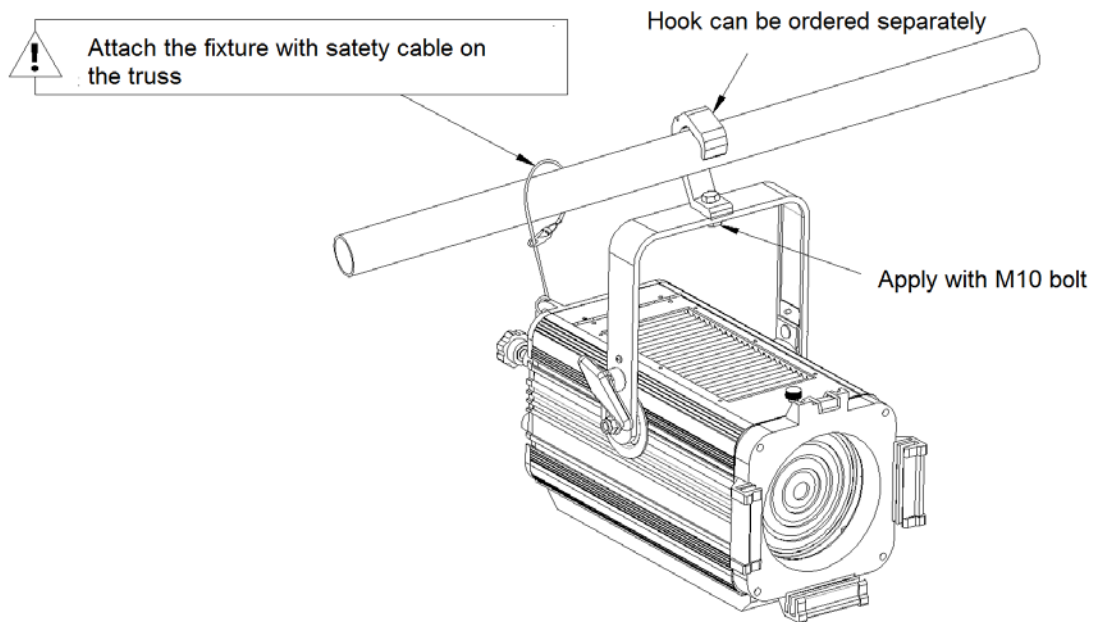
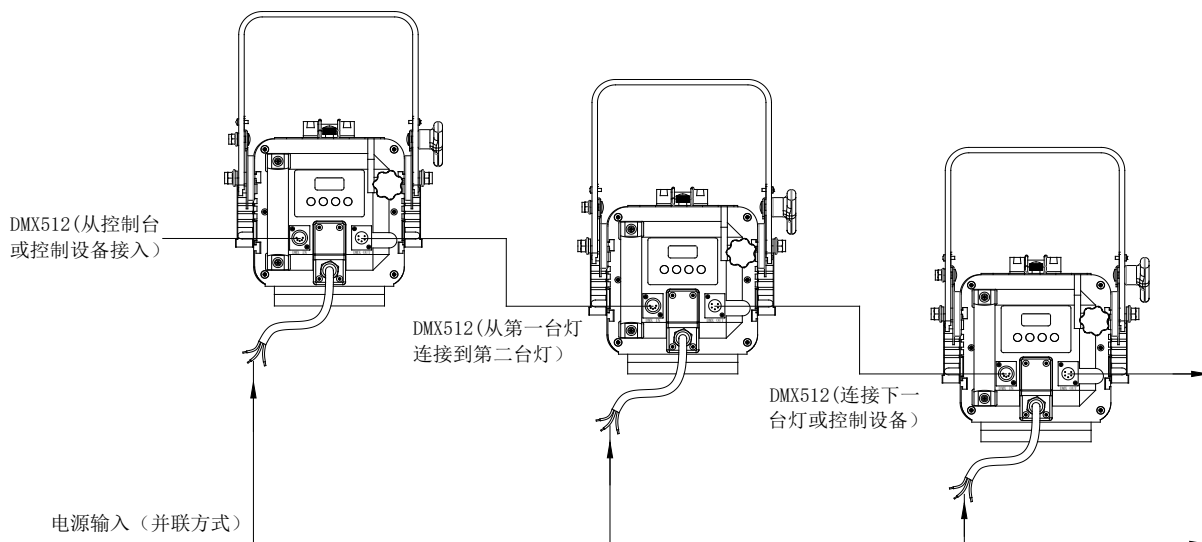


Figure 3

Simply attach hook/clamp to the luminaire yoke assembly in the M10 hole. Hang on the bar, lock off the clamp, and attach the safety cable.

6. Connecting



WARNING!

Disconnect the power input when connecting cables. Always disconnect power input cable to completely remove power from fixture when not in use.

6.1 Connect the power cord to the parallel mode, choose a suitable socket to have the cables out.

6.2 Basic DMX512 installation consists of connecting multiple luminaires together (up to 32 luminaires) in “daisy-chain” fashion. For occasion more than 32 luminaires, pls use a signal amplifier (For more information on DMX512 networking and systems, refer to “Additional Resources for DMX512”. For DMX Mapping, refer to “DMX CONTROL”)

7. Buttons

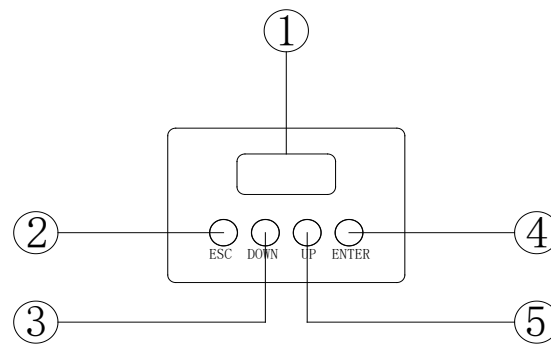


Figure 5

- ① LCD Display(Menu System)
- ② ESC Button
- ③ DOWN Button
- ④ ENTER Button
- ⑤ UP Button

8. Control Mode

8.1 Manual dimming: Use the manu buttons to access and make changes to the menu items.

8.2 DMX dimming: **【DMX1】** : Built-in 8 bit (DMX 8 bit) and 16 bit (DM16 Bit) dimming modes and 4 dimming curves. International standard DMX512 signal controlled

Master-Slave Mode: Use the menu buttons to access and make changes to the menu items.

9. Operating Menu and Channel Table

9.1 Operating Menu

Menu	Sub-menu	Function Description
PH-LED150 Initial...		Initial
DirectMode DmxOk Addr=*** T=***°C	DirectMode NoDmx Addr=*** T=***°C	Direct DMX Mode
Slave Mode Addr=*** T=***°C		Slave Mode
Manual (Master) Addr=*** T=***°C	Manual (Alone) Addr=*** T=***°C	Manual (Master/Alone)
.DMX Address - 001	.DMX Address ->001	DMX Address
.Manual Dimming - Value: 100 %	.Manual Dimming ->Value:100% BLK	Manual Dimming
.Mode - DMX 8 Bit	.Mode ->DMX 8 Bit	8Bit DMX
	.Mode ->DMX 16 Bit	16Bit DMX
	.Mode ->Manual Alone	Manual Alone
	.Mode ->Manual Master	Manual Master
.Dimmer Curve - Linear Curve	.Dimmer Curve ->Linear Curve	Linear Curve
	.Dimmer Curve ->Square Curve	Square Curve
	.Dimmer Curve ->S-Curve	S-Curve

	.Dimmer Curve ->PH-Curve	PH-Curve
.DMX Fail - Manual	.DMX Fail ->Manual	Manual
	.DMX Fail ->OFF	Light Off
	.DMX Fail ->Last Hold	Hold last signal before lost
.Default Setting - NO	.Default Setting ->NO	Default Setting
.FirmwareVersion Rev *.***		Version Number

9.2 Channel Table:

DMX Channel Table (1CH)					
No.	Channel Name	DMX Value			Description
1	Dimmer	0	-	255	Dimmer 0-100%

DMX Channel Table (2CH)			
No.	Channel Name	DMX Value	Description

1	Dimmer	0	-	255	Dimmer 8 Bit
2	Dimmer Fine	0	-	255	Dimmer 16 Bit

10. Rigging Luminaire

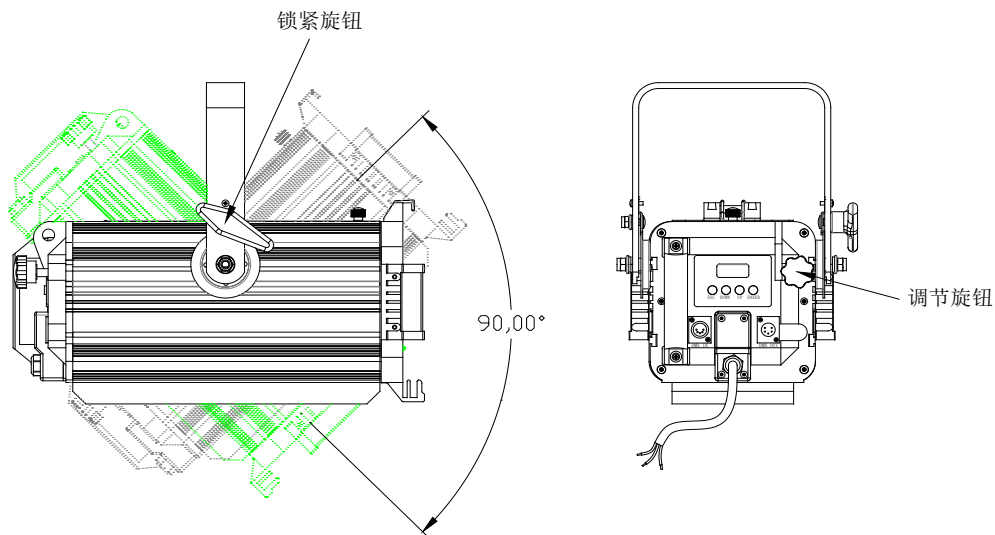


Figure 6

10.1 Luminaire lights up.

10.2 Tilt adjustment: loosens the Tilt lock-off knob, adjusts spot direction, lock off the knob.

10.3 Spot adjustment: loosens the zooming knob, moves forward and backward of the lamp to have perfect condition.

11. Cleaning & Care

Warning:

All cleaning should be performed with power completely removed 3mins later from the luminaire. All service and maintenance condition must be dust, moist and water. Never remove the power section of the luminaire. Wear appropriate gloves when cleaning the fixture. All service and maintenance should be performed by a suitably qualified technician or authorized service center.

It will accumulate dust and dirt after using a certain time of the lens, or even affects the lighting efficiency. This user manual only introduces cleaning and maintenance of the appearance and lens, please take the following steps for reference. PHIDA will not take any responsibility of any improper operation.

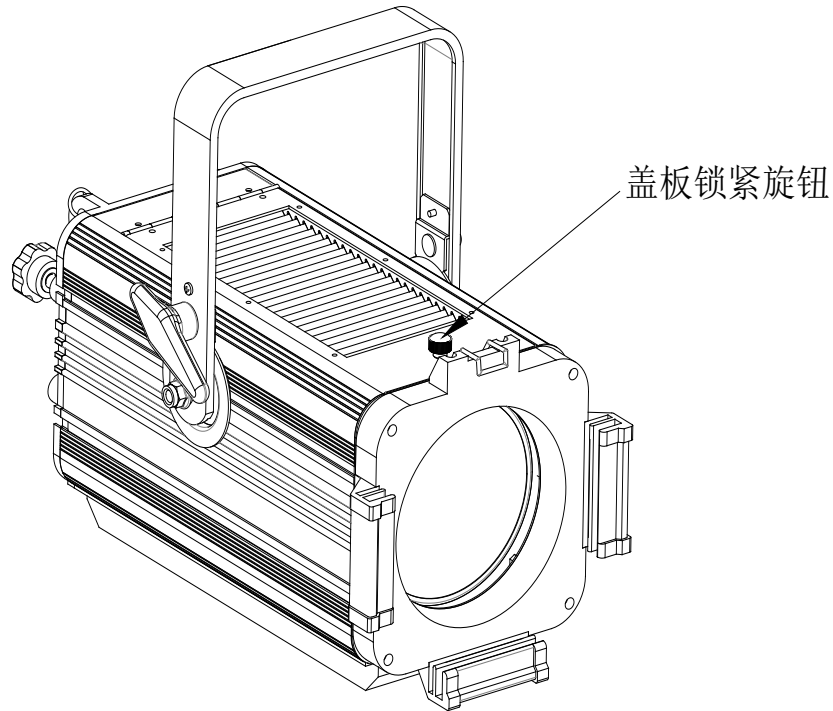


Figure 7

- Lint free tissue
- Lint or power free gloves
- Reagent grade isopropanol
- A mild soap solution
- High-pressure blower

Steps of cleaning glass lens

Step 1. Disconnect luminaire from power and allow to cool completely. Loosen the cover bolt, open the cover, you can see the interior of the luminaire.

Step 2. Use a high-pressure blower to blow off the dust on the surface.

Step 3. Apply a small amount of reagent grade isopropyl alcohol to lint free lens tissue

Step 4. Wipe all debris, dirt, fingerprints, etc from lens.

Step 5. Install all parts back to the luminaire.

12. Specifications

No.	Item	PH-LED150Y
1	Input Voltage (V)	100-240
2	Frequency (Hz)	50/60
3	Rated Power	200W
4	IP Rating	IP20
5	Service Life	50000 hrs
6	Control Mode	DMX512
7	Beam Angle	10°~55°
8	Measurement (mm) LxWxH	500x280x215
9	N.W.(kg)	11

13. Packing Details

13.1 On the carton shows item number and basic information. It contains one luminaire.



Item Number	CTN 1 (LxWxH) cm
PH-LED150Y	59 x33x33

The actual appearance of product may be different from the picture due to improvement. The company reserved the finally explanatory rights.