

USER MANUAL

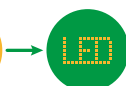


Table of contents

Caution!	3
Introduction.....	3
Safety instructions	3
Overview.....	4
Installation	4
Read 'Safety information' before installing the fixture.....	4
Remove Lamp Housing	4
Install the FOS Reborn 200 LED Retrofit.....	5
Set the Z-adjustment	5
Fastening the fixture to a flat surface.....	6
Mounting the fixture on a truss	6
Securing with a safety cable	6
DMX-512 connection/connection between fixtures.....	7
Power connection	7
Operation.....	8
Control Menu Map	8
Addressing.....	8
Universal DMX Control	9
RDM control.....	9
DMX Protocol	9
Fixture Cleaning	9
Technical specifications.....	10

Caution!



Be careful with your operations. With a dangerous voltage you can suffer a dangerous electric shock when touching the wires!



Avoid looking directly into the light source!

Wear protective glasses and other PPE (personal protective equipment) when working on or near the fixture.



Always make sure you are connecting this product to the proper voltage in accordance with the specifications in this manual or on the product's specification label. Make sure it is grounded when using it!

Unplug mains lead before opening the housing!

Make sure that the power cord is never crimped or damaged by sharp edges. Check the fixture and the powercord from time to time.

Make sure to replace the fuse with another of the same type and rating.



For your own safety, please read this user manual carefully before you initial start-up.

Follow operating safety precautions and pay attention to warning signs methods and equipment on the user manual.



Warning! This symbol indicates a hot surface. Certain parts of the housing can become hot during operation. After use, wait for a cool-down period of at least 10 minutes before handling or transporting the device.



Indoor use only! To prevent risk of fire or shock, do not expose this product to rain or moisture. IP 20 rating.

The ambient temperature must always be between -5°C and $+45^{\circ}\text{C}$.

Every person involved with the installation, operation and maintenance of this device has to

- be qualified
- follow the instructions of this manual
- consider this manual to be part of the total product
- keep this manual for the entire service life of the product
- pass this manual on to every further owner or user of the product
- download the latest version of the user manual from the Internet

Introduction

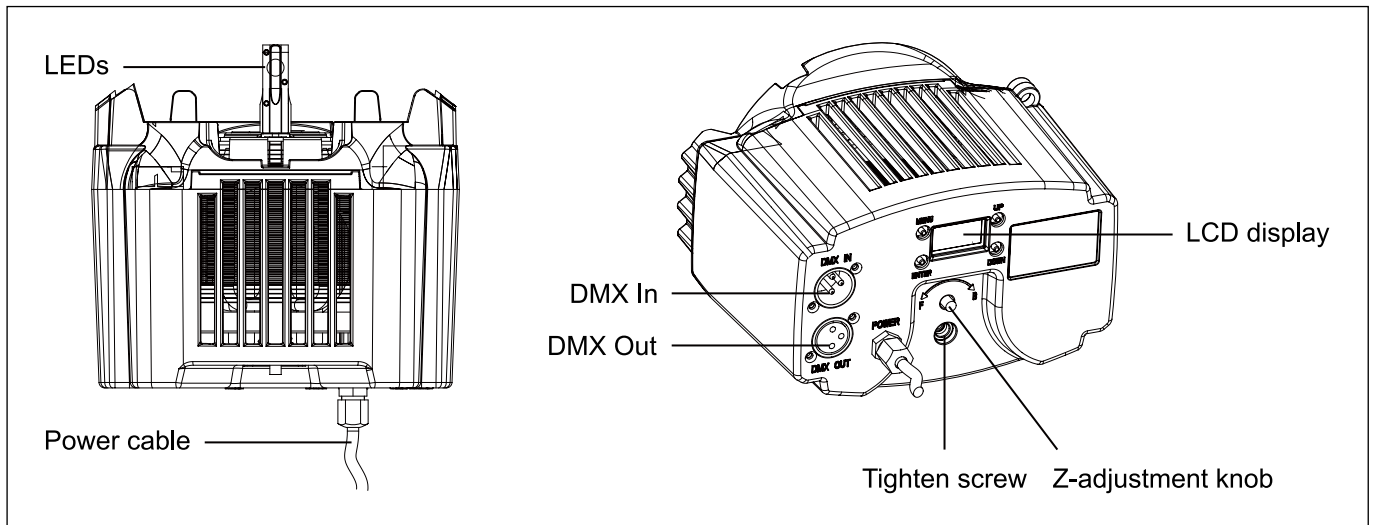
Thank you for having chosen FOS Reborn 200. You will see you acquired a powerful and versatile device.

Unpack your item. Before you initial start-up, please make sure that there is no damage caused by transportation. Should there be any, consult your dealer and do not use the device.

Safety instructions

This device has left our premises in absolutely perfect condition. In order to maintain this condition and to ensure a safe operation, it is absolutely necessary for the user to follow the safety instructions and warning notes written in this user manual. Always disconnect from the mains, when the device is not in use or before cleaning it. Keep away children and amateurs from the device! There are no serviceable parts inside the device. Maintenance and service operations are only to be carried out by authorized dealers.

Overview



Installation

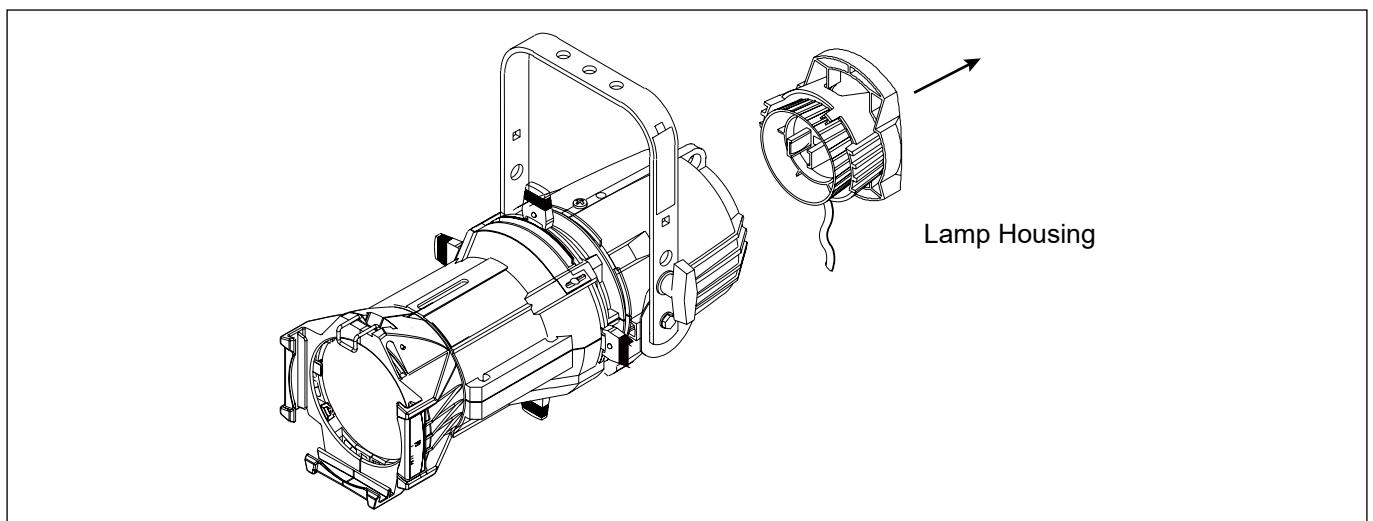
Read 'Safety information' before installing the fixture

The fixture is designed for indoor use only and must be used in a dry location with adequate ventilation. Ensure that none of the fixture's ventilation slots are blocked.

Fasten the fixture to a secure structure or surface. Do not stand it on a surface or leave it where it can be moved or fall over. If you install the fixture in a location where it may cause injury or damage if it falls, secure it as directed in this user manual using a securely anchored safety cable that will hold the fixture if the primary fastening method fails.

Remove Lamp Housing

1. Unplug the Source Four incandescent fixture and place it on a flat, stable surface.
2. Loosen the brass thumb screw located above the beam adjustment knob. The lamp housing is now loose.
3. Slide the lamp housing away from the fixture body and locate the screw that secures the earth bond wire to the fixture body. Loosen and remove the screw and accompanying washer to free the earth bond wire.
4. Remove the lamp housing from the fixture body.

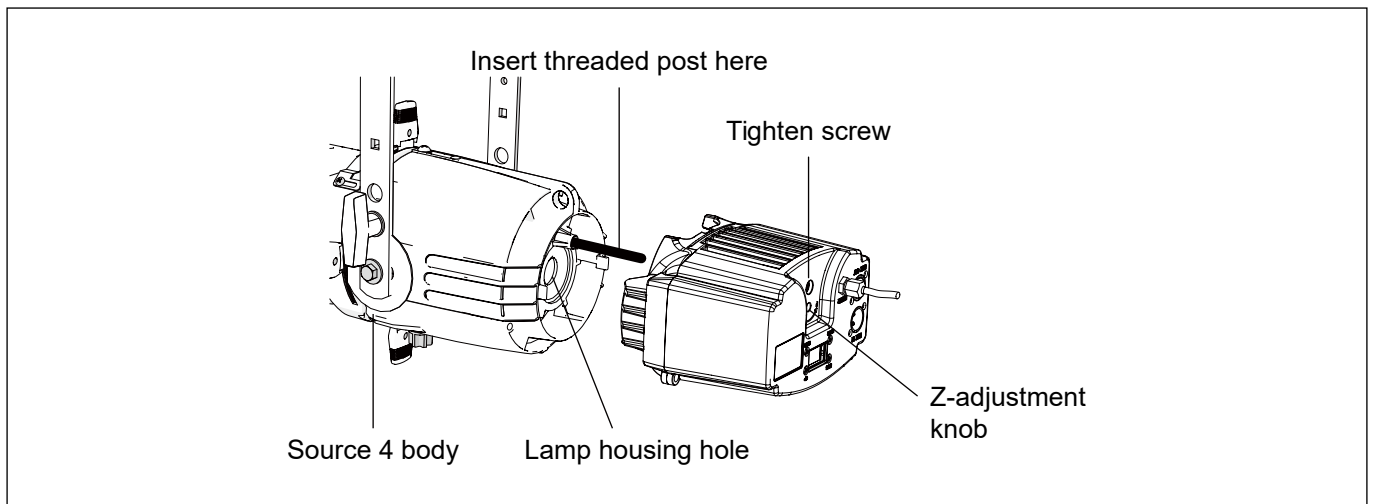


Install the FOS Reborn 200 LED Retrofit



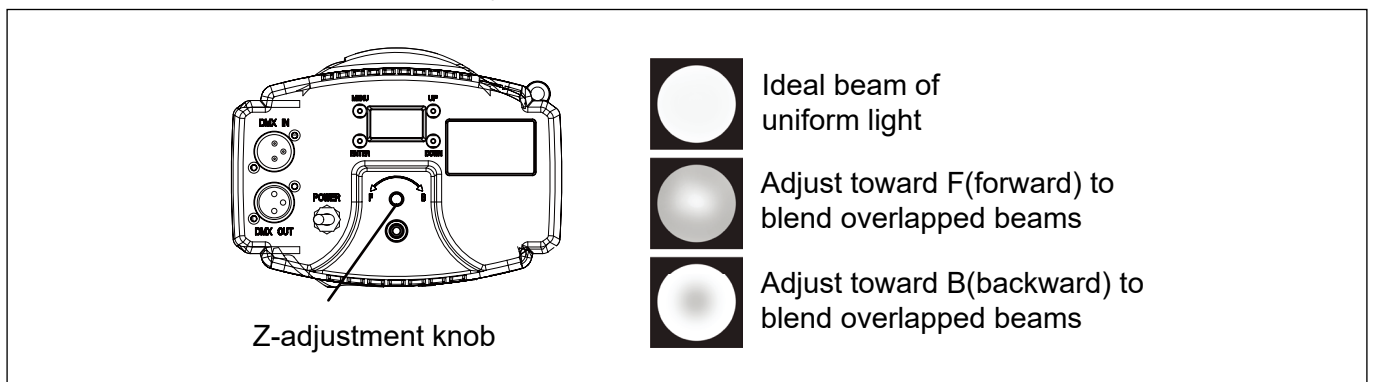
CAUTION: Do not touch or clean LED optic domes with anything other than oil-free canned air!

1. Use oil-free canned air to clean the LED domes before you install the retrofit. Do not touch the LED domes.
2. With the fixture resting securely on a flat surface, attach the supplied threaded post to the back end of the fixture body. Use an adjustable wrench to tighten the threaded post one-quarter turn past finger tight.
3. Gently slide the FOS Reborn 200 LED Retrofit onto the fixture body and threaded post while guiding the LED tower into the lamp housing hole, as shown below. Take care to prevent contact between the LEDs and the reflector.
4. Use a cross screwdriver to tighten the screw located on the back end of the FOS Reborn 200 LED Retrofit, directly above the Z-adjustment knob.
5. Pull gently to verify secure attachment.
6. Set the Z-adjustment using the Z-adjustment knob.



Set the Z-adjustment

1. Use the Z-adjustment knob located on the rear of the fixture to adjust the field of the LED light for specific applications.
2. Turn on the fixture and aim it at a flat surface.
3. Slide the fixture barrel toward or away from the FOS Reborn 200 LED retrofit to create a hard-edged beam of light.
4. Turn the knob toward F or B until you achieve the desired field.



Fastening the fixture to a flat surface

The fixture can be fastened to a hard, fixed, flat surface that is oriented at any angle. Ensure that the surface and all fasteners used can support at least 10 times the weight of all fixtures and equipment to be installed on it.

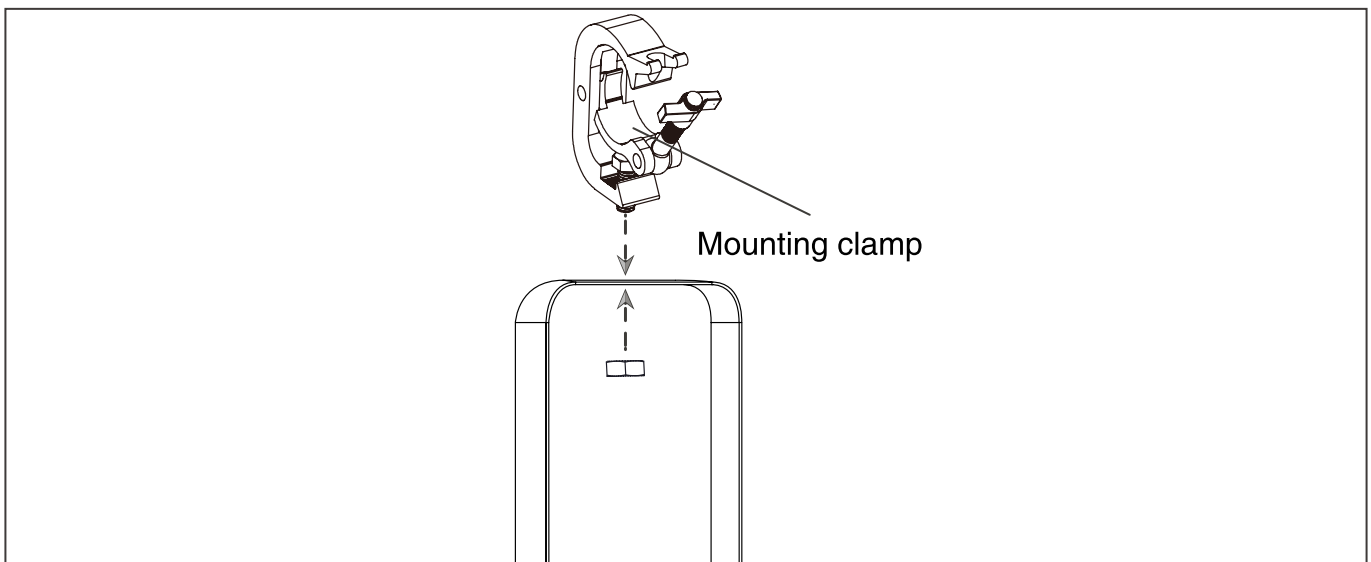
Fasten the fixture securely. Do not stand it on a surface or leave it where it can be moved or fall over. If you install the fixture in a location where it may cause injury or damage if it falls, secure it as directed below with a securely anchored safety cable that will hold the fixture if the primary fastening method fails.

Mounting the fixture on a truss

The fixture can be clamped to a truss or similar rigging structure in any orientation. When installing the fixture hanging vertically down, you can use an open-type clamp such as a G-clamp. When installing in any other orientation, you must use a half-coupler clamp that completely encircles the truss chord.

To clamp the fixture to a truss:

1. Check that the rigging structure can support at least 10 times the weight of all fixtures and equipment to be installed on it.
2. Block access under the work area.
3. Fold the legs of the mounting bracket together and bolt a rigging clamp securely to the mounting bracket. The bolt used must be M10, grade 8.8 steel minimum. It must pass through both mounting bracket legs and be fastened with a self-locking nut.
4. Working from a stable platform, hang the fixture with its clamp on the truss and fasten the clamp securely.
5. Secure the fixture with a safety cable as directed below.

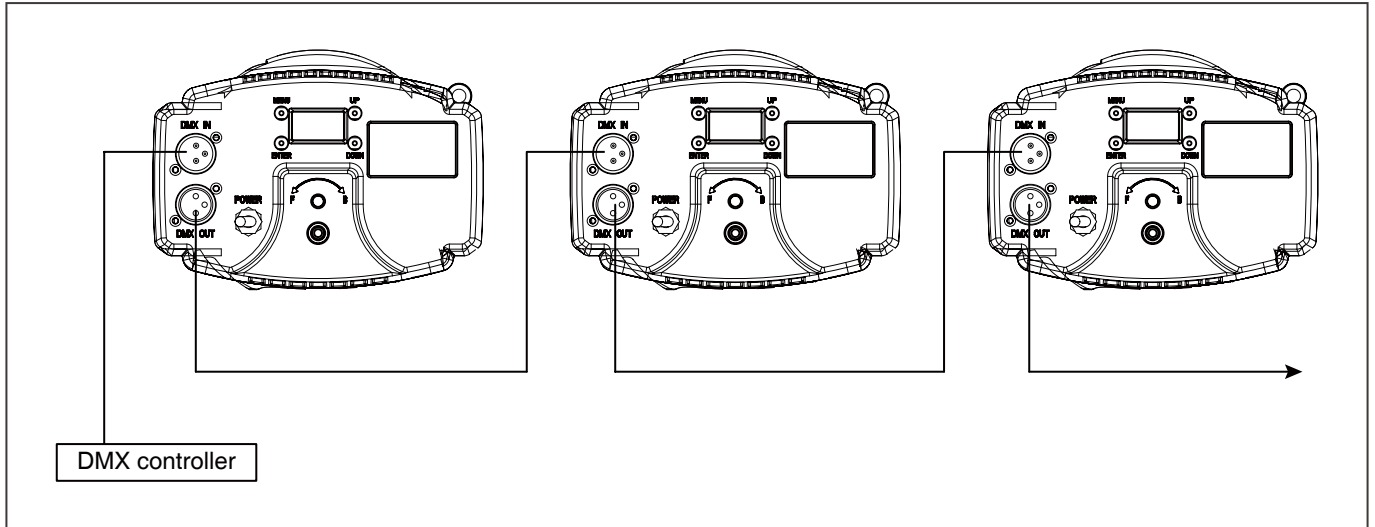


Securing with a safety cable

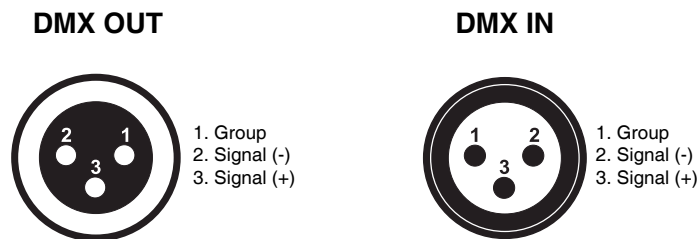
Secure the fixture with a safety cable (or other secondary attachment) that is approved for the weight of the fixture so that the safety cable will hold the fixture if a primary attachment fails.

Loop the safety cable through the eyebolt in the back of the fixture and around a secure anchoring point. Do not loop the safety cable around the fixture's mounting bracket only, as this will leave the fixture unsecured if it separates from the bracket.

DMX-512 connection/connection between fixtures



Occupation of the XLR-connection:



If you are using controllers with this occupation, you can connect the DMX-output of the controller directly with the DMX-input of the first fixture in the DMX-chain. If you wish to connect DMX-controllers with other XLR-outputs, you need to use adapter-cables.

Building a serial DMX-chain:

Connect the DMX-output of the first fixture in the DMX-chain with the DMX-input of the next fixture. Always connect one output with the input of the next fixture until all fixtures are connected.

DMX-512 connection with DMX terminator:

For installations where the DMX cable has to run a long distance or is in an electrically noisy environment, such as in a discotheque, it is recommended to use a DMX terminator. This helps in preventing corruption of the digital control signal by electrical noise. The DMX terminator is simply an XLR plug with a 120 resistor connected between pins 2 and 3, which is then plugged into the output XLR socket of the last fixture in the chain.

Caution: At the last fixture, the DMX-cable has to be terminated with a terminator. Solder a 120 Ω resistor between Signal (-) and Signal (+) into a 3-pin XLR-plug and plug it in the DMX-output of the last fixture.

Power connection


Power Requirements

The FOS Reborn 200 luminaire operates on 100 to 240 volts AC (+/- 10%, auto-ranging). The luminaire contains an auto-ranging power supply.

Connection with the mains:

Connect the device to the mains with the enclosed power supply cable.

The occupation of the connection cables as below:

Cable color	Connection	International
Brown	Live	L
Blue	Neutral	N
Yellow/green	Earth(Ground)	

Operation

The FOS Reborn 200 zoom can operate in three different modes. In each mode you can run the fixture as a stand alone fixture or in a master/slave configuration. This next section will detail the differences in the operating modes.

Control Menu Map

Default setting in **bold**.

MAIN MENU	LEVEL 1	LEVEL 3	FUNCTION INSTRUCTION
DMX	001-512		DMX address setting
Dimmer	000-255		Manual dimmer
Mode	Standard		Dimmer mode
	Stage		
	TV		
	Arch		
	Theatre		
	Studio		
Advance	Signal Hold	YES/NO	Run if signal cut
	DMX-RDM	On/Off	RDM function on/off
	Screen Timeout	Never	Display shut off time
		60S	
		30S	
	Lcd Reverse	Yes/No	Display reverse 180 degree
	Dim Freq	1.2K	Dimmer frequency select
		1.6K	
		2.4K	
		4.0K	
6.0K			
20.0K			
Soft ver		Software version	
Advance Menu	YES/NO	Advanced settings/calibration(Only qualified technicians should perform this function. Inquire your local dealer for password.)	
INFO			

Addressing

All fixtures should be given a DMX starting address when using a DMX signal, so that the correct fixture responds to the correct control signals. This digital starting address is the channel number from which the fixture starts to listen to the digital control information sent out from the DMX controller. The allocation of this starting address is achieved by setting the correct number on the display located on the base of the device.

You can set the same starting address for all fixtures or a group of fixtures, or make different address for each fixture individually.

If you set the same address, all the units will start to listen to the same control signal from the same channel number. In other words, changing the settings of one channel will affect all the fixtures simultaneously.

If you set a different address, each unit will start to listen to the channel number you have set, based on the quantity of control channels of the unit. That means changing the settings of one channel will affect only the selected fixture.

In the case of the FOS Reborn 200, which is 1 channel fixture. If you set, for example, the address in the 1 channel mode to channel 2, the device will use the channel 2 for control.

Universal DMX Control

This function allows you to use a universal DMX-512 controller to control the dimmer and strobe. A DMX controller allows you to create unique programs tailored to your individual needs.

RDM control

The FOS Reborn 200 can communicate using RDM (Remote Device Management) in accordance with ESTA's American National Standard E1.20-2006: Entertainment Technology RDM Remote Device Management Over DMX512 Networks.

RDM is a bi-directional communications protocol for use in DMX512 control systems, it is the open standard for DMX512 device configuration and status monitoring.

The RDM protocol allows data packets to be inserted into a DMX512 data stream without affecting existing non-RDM equipment. It allows a console or dedicated RDM controller to send commands to and receive messages from specific fixtures.

With RDM function, you can set the DMX address of your fixtures remotely. This is especially useful when the device is installed in a remote area.

Each FOS Reborn 200 has a factory set RDM UID (unique identification number).

Note: Before operation, enable RDM function in Advanced settings.

DMX Protocol

1 Channel Mode	Function	Function Control
CH1	Dimmer	000-255: 0-100% dimmer

Fixture Cleaning

Due to fog residue, smoke, and dust cleaning the internal and external optical lenses and mirror should be carried out periodically to optimize light output. Cleaning frequency depends on the environment in

which the fixture operates (i.e. smoke, fog residue, dust, dew). In heavy club use we recommend cleaning on a monthly basis. Periodic cleaning will ensure longevity, and crisp output.

To clean the fixture:

1. Disconnect the fixture from power and allow it to cool for at least 10 minutes.
2. Vacuum or gently blow away dust and loose particles from the outside of the fixture with low-pressure compressed air.
3. Clean the surfaces by wiping gently with a soft, clean lint-free cloth moistened with a weak detergent solution. Do not rub glass surfaces hard: lift particles off with a soft repeated press. Dry with a soft, clean, lint-free cloth or low-pressure compressed air. Remove stuck particles with an unscented tissue or cotton swab moistened with glass cleaner or distilled water.
4. Check that the fixture is dry before reapplying power.

Technical specifications

Model	FOS Reborn 200
Power supply:	AC100-240V, 50/60Hz
Light source:	175W COB LED
Color temperature:	3200K
Color Rendition:	CRI ≥ 98, R9 ≥ 93, TLCI 98
Power connection:	Dedicated power in
Signal connection:	3-pin XLR in & out(5-pin optional)
DMX channels:	1
Control mode:	RDM, DMX
Dimmer modes:	Standard, Stage, TV, Architecture, Theatre, Studio
Housing:	Colour black, Die-cast aluminum
Package(carton):	272 x 260 x 213mm(10.7 x 10.2 x 8.4in)
N.W.:	3kg(6.6lb)
Environment:	IP20

Please note: All information is subject to change without prior notice. 12.03.2020

