



FOS TOUR PAR 150

User Manual



IP65

CE

Thanks for choosing our goods please read this manual carefully before your operating and keep this manual for future needs

Thank you for purchasing LED Tour Par 150, Every unit has been thoroughly tested and has been shipped in perfect operating condition. Carefully check the shipping carton for damage that may have occurred during shipping. If the carton appears to be damaged, carefully inspect your fixture for any damage and be sure all accessories necessary to operate the unit has arrived intact. In the case damage has been found or parts are missing, please contact the manufacturer or your dealer for further instructions. You now own a professional lighting unit that offers endless possibilities.

For your own safety and that of others, please read this instruction manual carefully before installing the unit.

Anyone involved in installing, operating or servicing the LED Tour Par 150

must:

- **Be a qualified, authorized professional**
- **Strictly follow the instructions in this user manual.**

Please take the time to read this manual carefully and thoroughly before installing and operating the luminaire. You should have a good knowledge of its operating conditions and all pertinent product

information.

After you have become familiar with this manual, we recommend that you keep a copy for future use. All the information found in this manual is subject to change without notice. We reserves the right to modify and upgrade its range of products, with no obligation to integrate these changes into products already sold.

Warning

- To prevent or reduce the risk of electrical shock or fire ,do not expose the unit to rain or moisture.
- Do not open the unit within five minutes after switching off.
- Please consider that damages caused by manual modifications to the device are not subject to warranty.

Installation

The unit should be mounted via its screw holes on the bracket. Always ensure that the unit is firmly fixed to avoid vibration and slipping while operating. And make sure that the structure to which you are attaching the unit is secure and is able to support a weight of 10 times of the unit' s weight. Also always use a safety cable that can hold 12 times of the weight of the unit when installing the fixture.

The equipment must be fixed by professionals. And it must be fixed at a

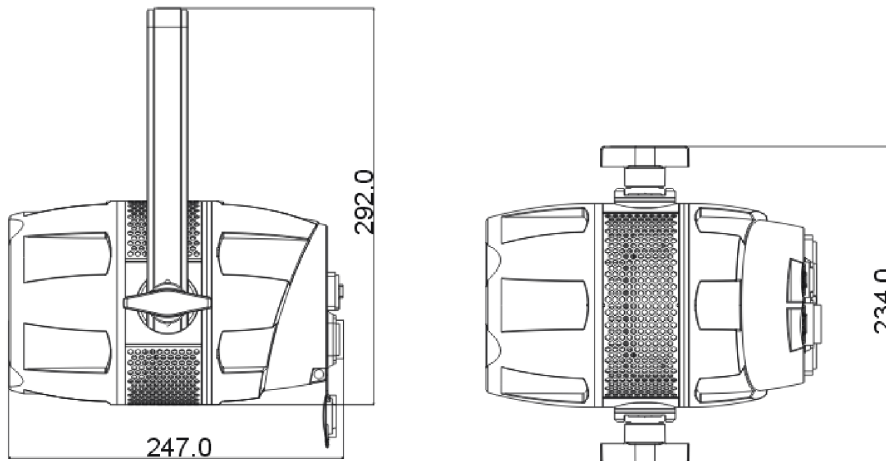
place where is out of the touch of people and has no one pass by or under it.

Specifications and Features:

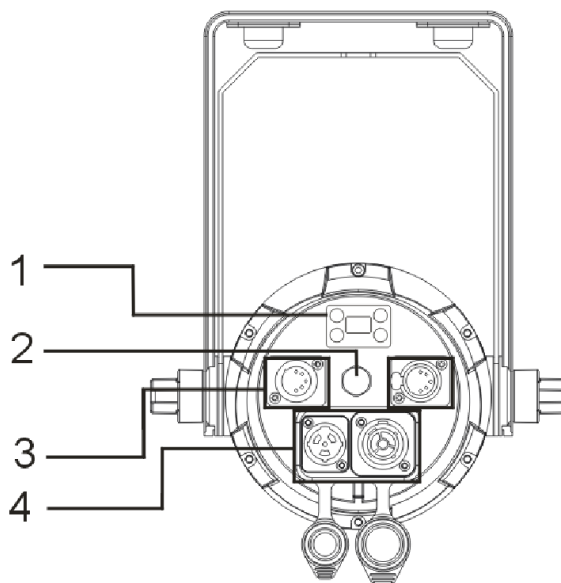
- LEDs: 150W RGBW 4in1 LEDs
- Power Consumption:150W
- DMX Channels: 11 DMX Channels
- PMW Rate: 900Hz~10000Hz
- Dimmer Curve: 4 dimmer curve mode
- 6 DMX Channels Mode: 1CH,2CH,4CH,6CH,8CH,11CH
- Control Protocol: DMX
- Support RDM
- Color: White and black
- Each LED can pixel control.
- Fan Mode: Max, Smart/Slient
- Color temperature: 3000K~7600K
- Compact and lightweight housing
- XLR Connectors: Seetronic 3pin&5pin XLR Connector
- Powercon True1 in/out
- Work mode: Auto, DMX, Master/Slaver
- With handle and safe
- Power input:110~240V,50/60Hz
- Power Consumption:150W

- Size: 307x234x247mm
- Net Weight: 3.5KG

Product View



Product Description



- 1: Menu
- 2: Pressure valve

- 3:DMX IN/ DMX OUT
- 4:POWER IN/POWER OUT

Control Panel

The control panel is the mechanism for configuring the LTP150 settings. It has a small LCD screen and four buttons, which are described below.

Button	Function
<MENU>	Scrolls through the first level of options, or exits from the current menu or function
<UP>	Navigates upward through the menu list or increases the numeric value when in a function
<DOWN>	Navigates downward through the menu list or decreases the numeric value when in a function
<ENTER>	Enables the currently displayed menu or sets the currently selected value in to the current function

Menu Structure

DMX Address	001-512			
DMX Mode	1CH			
	2CH			
	4CH			
	6CH			
	8CH			
	11CH			
Stand Alone	Auto	Program 1	Dim	000-255
		Program 2	Speed	000-255
		Program 3		
			
		Program 17	MIXED	
	ColorMacro	Color Off	000-005	
		Color1~46	006-255	
	Manual	Dimmer	000-255	
		Strobe	0~30Hz	
		Red	000-255	
		Green	000-255	
		Blue	000-255	
		White	000-255	

			OFF	
		CCT	3000K/3500K/4500K/5500K/7500K	
Settings	Display Reverse	On	Display Reverse	
		Off	Normal	
	Display Backlight	On	Normal	
		Off	Display off after 1 minute	
	DMX Fail	Hold	Keep the last status	
		Blackout		
		ManualMode		
	Dimmer Curve	Standard		
		Stage		
		TV		
		Architectural		
		Theatre		
	Dimmer Speed	0.1-0.9s ~		
		1-10S		Only for stage2 curve
	AutoLock	On		
		Off		
	Fan Mode	Smart		
		Max		
		Silent		
	PWM Rate	900Hz		
		1000Hz		
		1100Hz		
		1200Hz		
1300Hz				
1400Hz				
1500Hz				
2500Hz				
4000Hz				
5000Hz				
6000Hz				
Service	Reset	Passcode	Code: down, down, down, up, down, down,down, up	
	Calibration	Passcode	Code: down, up, down, up, down,	

				down, down, down.
System Info	Firmwre	V1.0		
	Operation Hours	xxxHrs		
	Temperature	xxx°C		
	RDM	Id number		

1 DMX Channels:

1 CH	VALUES	FUNCTIONS
1	000-255	Blinder Mode Channel 0%-100%, RedShift. Override other dimmer channel.

2 DMX Channels:

2 CH	VALUES	FUNCTIONS
1	000-255	MASTER DIMMER 0%-100%
2		COLOR MACROS
	000-007	No Effect
	008~255	Color 1 ~46

4 DMX Channels:

4 CH	VALUES	FUNCTIONS
1	000-255	RED 0%-100%
2	000-255	GREEN 0%-100%
3	000-255	BLUE 0%-100%
4	000-255	WHITE 0%-100%

6 DMX Channels:

6 CH	VALUES	FUNCTIONS
1	000-255	MASTER DIMMER 0%-100%

2	000-255	RED 0%-100%
3	000-255	GREEN 0%-100%
4	000-255	BLUE 0%-100%
5	000-255	WHITE 0%-100%
6		COLOR MACROS
	000-007	No Effect
	008~255	Color 1 ~46
		SHUTTER & STROBING
	000-031	LED Off
	032-063	LED On
	064-095	Strobing Slow - Fast
	096-127	LED On
	128-159	Pulse Strobing
	160-191	LED On
	192-223	Random Strobing Slow - Fast
	224-255	LED On

8 DMX Channels:

8 CH	VALUES	FUNCTIONS
1	000-255	MASTER DIMMER 0%-100%
2	000-255	DIMMER FINE 0%-100%
3	000-255	RED 0%-100%
4	000-255	GREEN 0%-100%
5	000-255	BLUE 0%-100%
6	000-255	WHITE 0%-100%
7		SHUTTER & STROBING
	000-010	LED on
	011-020	LED Off
	021-030	Singe flash

	031-090	Strobing slow - fast
	091-100	LED ON
	101-170	Pulse strobing
	171-180	LED on
	181-240	Random strobing slow -fast
	241-255	LED On
8	000-255	Blinder Mode Channel 0%-100%, RedShift. Override other dimmer channel.

11 DMX Channels:

11 CH	VALUES	FUNCTIONS
1	000-255	MASTER DIMMER 0%-100%
2	000-255	DIMMER FINE 0%-100%
3	000-255	RED 0%-100%
4	000-255	GREEN 0%-100%
5	000-255	BLUE 0%-100%
6	000-255	WHITE 0%-100%
		SHUTTER & STROBING
	000-010	LED on
	011-020	LED Off
	021-030	Singe flash
	031-090	Strobing slow - fast
7	091-100	LED ON
	101-170	Pulse strobing
	171-180	LED on
	181-240	Random strobing slow - fast
	241-255	LED On
8	000-255	Blinder Mode Channel 0%-100%, RedShift. Override other dimmer channel.
9		COLOR MACROS

	000-007	No Effect
	008~255	Color 1 ~46
10		DIMMER MODES
	000-010	Default to Unit Setting
	011-020	Standard
	021-040	Stage
	041-060	TV
	061-080	Architectural
	081-100	Theatre
	101-120	Stage 2
		DIMMER DELAY TIME
	121	0.1Sec.
	122	0.2Sec.
	123	0.3Sec.
	124	0.4Sec.
	125	0.5Sec.
	126	0.6Sec.
	127	0.7Sec.
	128	0.8Sec.
	129	0.9Sec.
	130	1.0Sec.
	131	1.5Sec.
	132	2.0Sec.
	133	3.0Sec.
	134	4.0Sec.
	135	5.0Sec.
	136	6.0Sec.
	137	7.0Sec.
138	8.0Sec.	
139	9.0Sec.	
140	10Sec.	
141-255	Default to Unit Setting	
11		REFRESH RATE
	000-010	Default to Unit Setting
	011-020	900HZ
	021-030	1000HZ
	031-040	1100HZ
	041-050	1200HZ

051-060	1300HZ
061-070	1400HZ
071-080	1500HZ
081-090	2500HZ
091-100	4000HZ
101-110	5000HZ
111-120	6000HZ
121-130	10000HZ
131-140	Set refresh rate to unit default
141-150	Fan mode silent
151-160	Fan mode smart
161-170	Fan mode max
171-180	Set fan mode to unit default
181-255	No function

Troubleshooting

Following are a few common problems that may occur during operation.

Here are some suggestions for easy troubleshooting:

1. The unit does not work, no light and the fan does not work
 - a. check the connection of power and main fuse.
 - b. Measure the mains voltage on the main connector.
 - c. Check the power on Led.
2. Not responding to DMX controller
 - a. DMX LED should be on. If not ,check DMX connectors, cables to see if link properly.
 - b. If the DMX LED is on and no response to the channel, check the

address settings and DMX polarity.

- c. If you have intermittent DMX signal problems, check the pins on connectors or on PCB of the unit or the previous one.
 - d. Try to use another DMX controller.
 - e. Check if the DMX cables run near or run alongside to high voltage cables that may cause damage or interference to DMX interface circuit.
3. Some units don't respond to the easy controller
- a. You may have a break in the DMX cabling. Check the LED for the response of the master/slave mode signal.
 - b. Wrong DMX address in the unit .Set the proper address.
4. One of the channels is not working well
- a. The stepper motor might be damaged, or the cable connected to the PCB is broken.
 - b. The motor's drive IC on the PCB might be out of condition.
5. Fixture Cleaning

The cleaning of internal and external optical lenses and/or mirrors must be carried out periodically to optimize light output. Cleaning frequency depends on the environment in which the fixture operates: dirt, smoky or particularly dirty surrounding can cause greater accumulation of dirt on the unit's optics.

- a. Clean with soft cloth using normal glass cleaning fluid.

b. Always dry the parts carefully.

Warranty

The LED Tour Par 150 fixture is guaranteed against manufacturing defects for the duration of two (2) years from the date of purchase.

This warranty does not cover the unit for evidence of physical shock or damage caused by abuse or any use not in accordance with the operating conditions set forth in the present user manual.

In addition, cosmetic defects caused by the normal wear and tear of the unit are not covered under the warranty.

Any modification to the fixture will void the warranty. We cannot under any circumstances be held liable for quality and conformity regarding the installation of this product, which is the responsibility of the installer.

the device and before use, may be covered by the warranty.

The manufacturer is not responsible for any errors or omissions that may occur in this document. All information contained in this manual is subject to change without notice.